

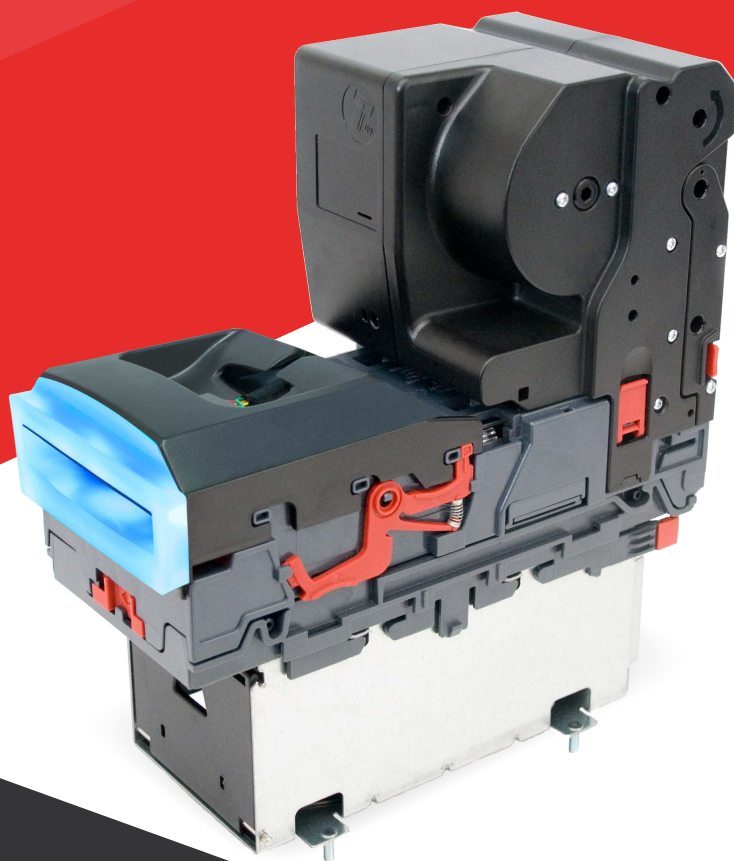


Innovative Technology

INTELLIGENCE IN VALIDATION

NV11+

"Market leading, compact note recycler"



- Market leading compact note recycler
- Proven field reliability
- Significantly reduces operational costs
- Maximises operational efficiency



FEATURES

- 30 note single denomination recycler
- Proven field reliability
- Dramatically reduces coin float levels
- Easy maintenance, free firmware updates
- All notes in the Note Float can be transferred to the cashbox for easy collection



BENEFITS

- Maximises cash efficiency and reduces coin starvation
- Lowest cost of ownership
- Significantly lowers operational costs
- Future proof - quick & easy updates via USB, PC or handheld programmer
- Lowest operator collection costs

Technical Specification

Power

Requirements: 12V
Standby: 350mA
Running: 3A
Peak: 3.5A

Protocols

SSP
ccTalk
MDB

Interfaces

USB
Open Collector

Note Dimensions

Width: 60 - 82mm
Length: 115 - 150mm

Recycler Capacity

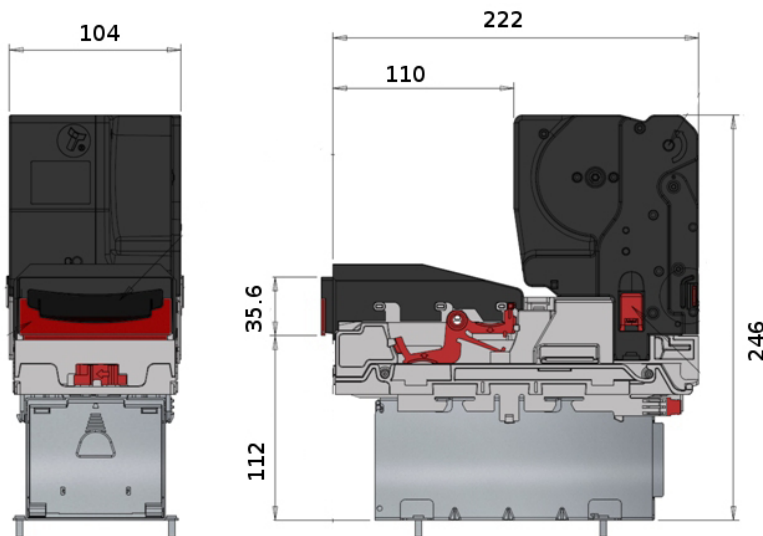
30 notes

Bezel Options

82mm horizontal
82mm chamfered
Rainbow illumination

Cashbox Options

300 standard
300 lockable
300 / 600 slide
Stackerless



- Weight: 2.2kg

**VIEW MORE
NOTE HANDLING
PRODUCTS >>**



Find Us

Head Office

Innovative Technology Ltd (UK)
Innovative Business Park
Derker Street
Oldham
OL1 4EQ



Telephone

+44 (0) 161 626 9999



Email

sales@innovative-technology.com